



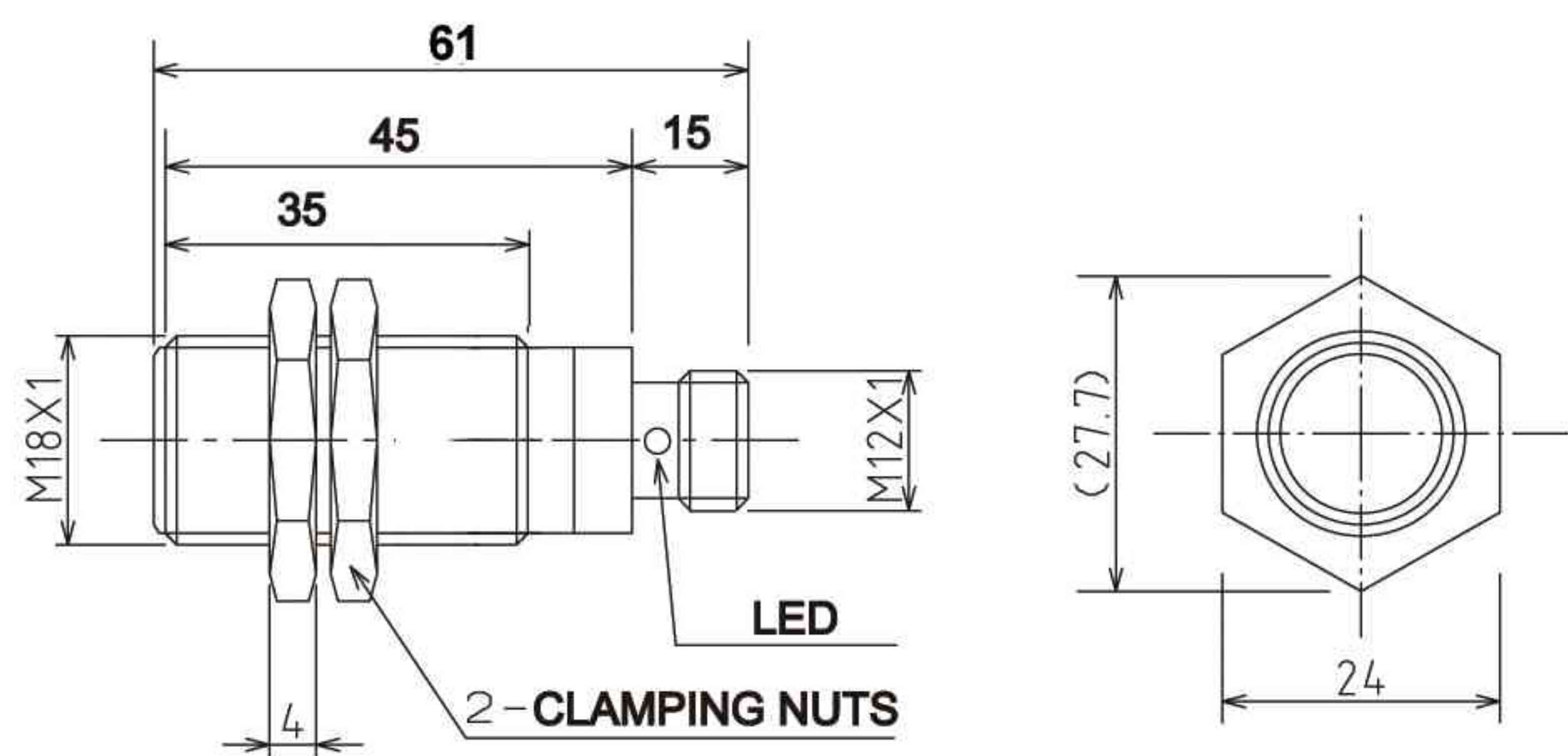
Models · 选型

| Model型号 | Output输出 |
|--------------------|--------------|
| M18U200-PN-45-L5 | PNP+NPN |
| M18U200-A-IN-45-L5 | 4-20mA+NPN |
| M18U200-A-UN-45-L5 | 0-10V+NPN |
| M18U200-D-45-L5 | DIGITAL |
| M18U200-A-IU-45-L5 | 4-20mA+0-10V |

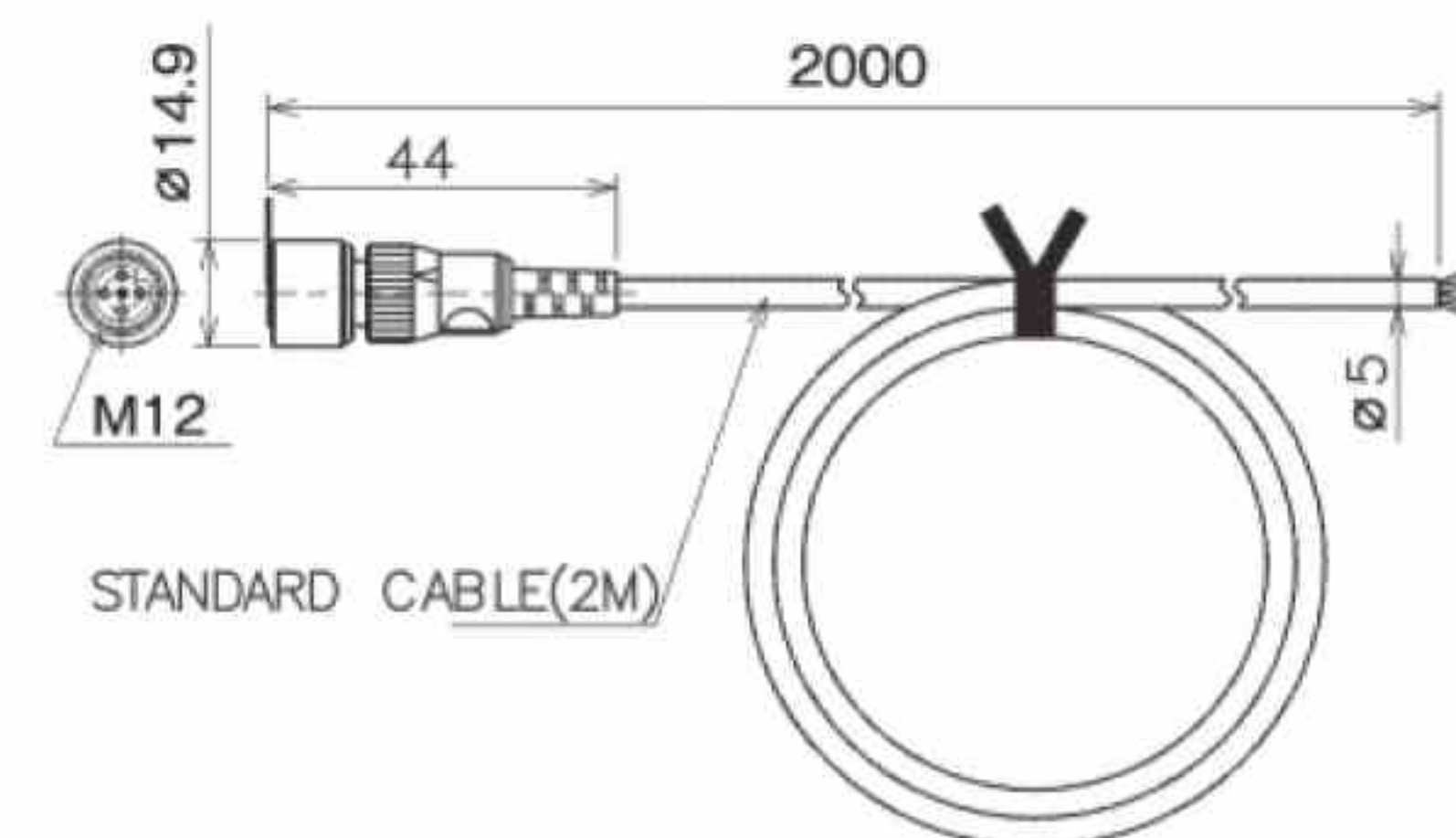
Configurations · 参数

| | |
|-----------------------------|--------------------------------------|
| Sensing range/检测范围 | 40-200mm |
| Standard target plate/标准目标板 | 100X100mm |
| Blind zone/盲区 | 0-40mm |
| Resolution/分辨率 | 0.15mm |
| Reproducibility/重复精度 | ± 0.1% |
| Reprating Voltage UB/工作电压 | 12-30VDC, UB ≥ 12V |
| No-load current/空载电流 | ≤ 20mA |
| Switching hysteresis/开关回滞 | 2mm |
| Response delay/响应延时 | 8ms |
| Material/材质 | Stainless steel 铜套, 镀镍 |
| Class of protection/防护等级 | IP65 |
| Operating temperature/工作温度 | -20°C~70°C |
| Storage temperature/存储温度 | -30°C~85°C |
| Weight/重量 | 30g |
| Type of connection/连接方式 | 5-pin M12 initiator plug 5芯M12接插件 |

Dimensions · 尺寸

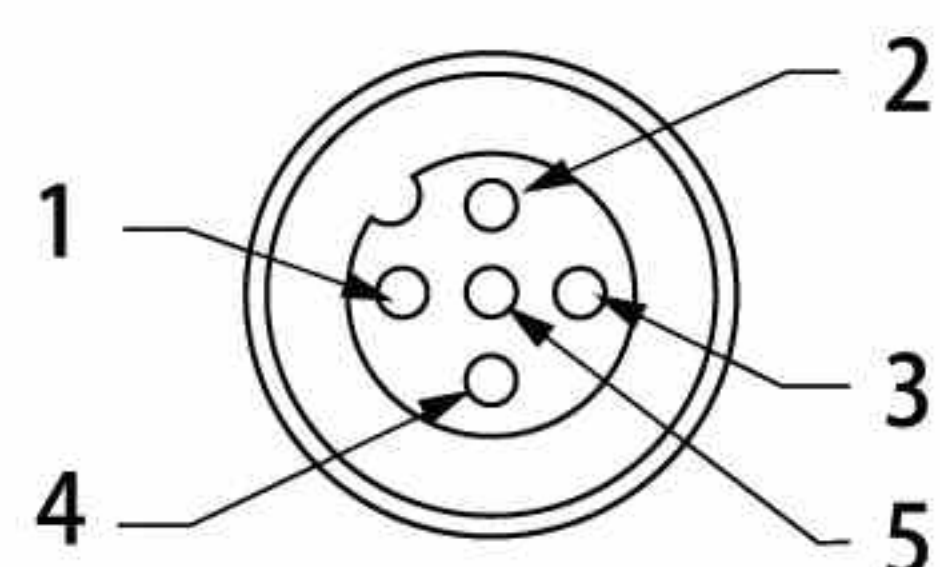


Parts · 附件



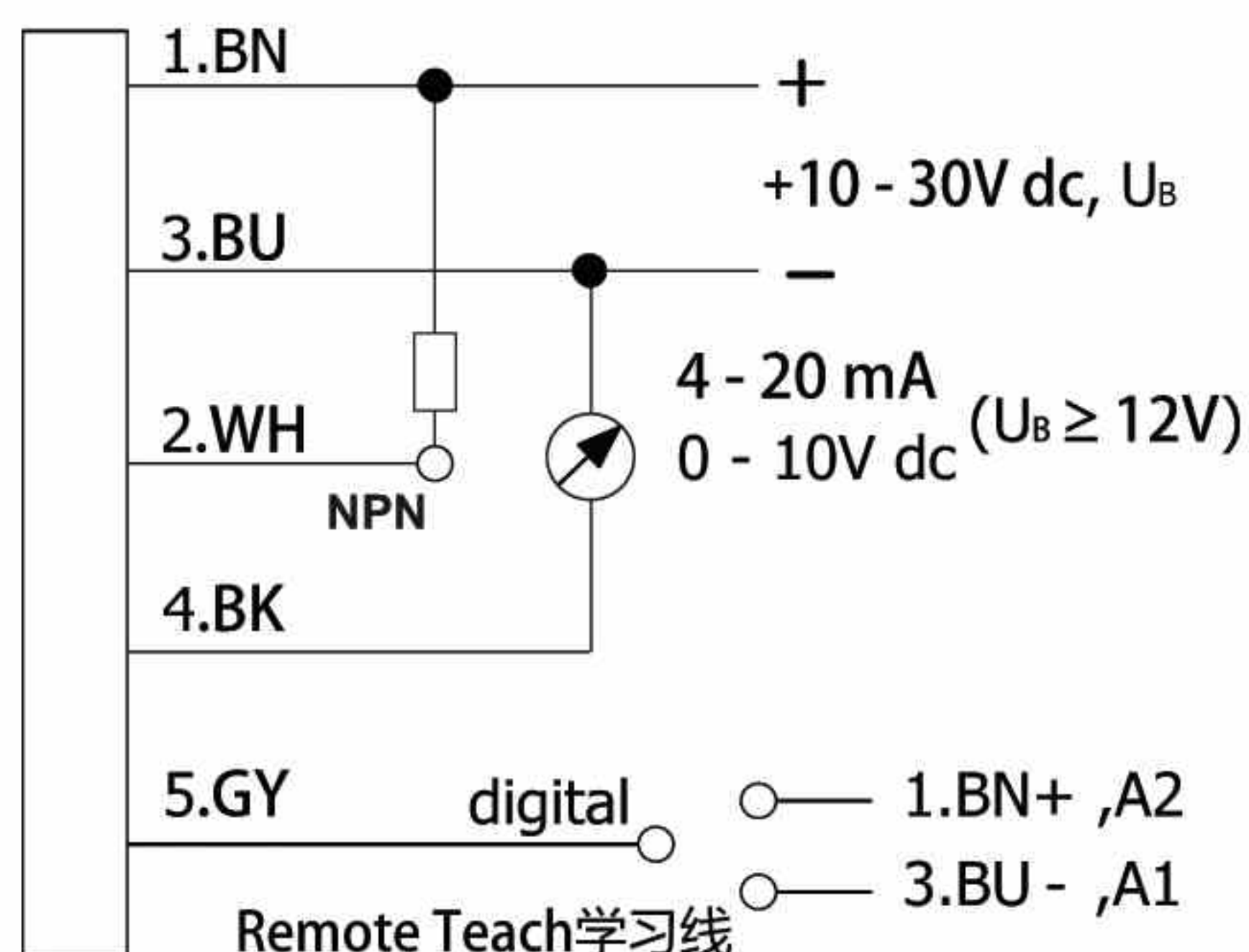
Wiring Diagrams · 接线图

Pinout · 连接

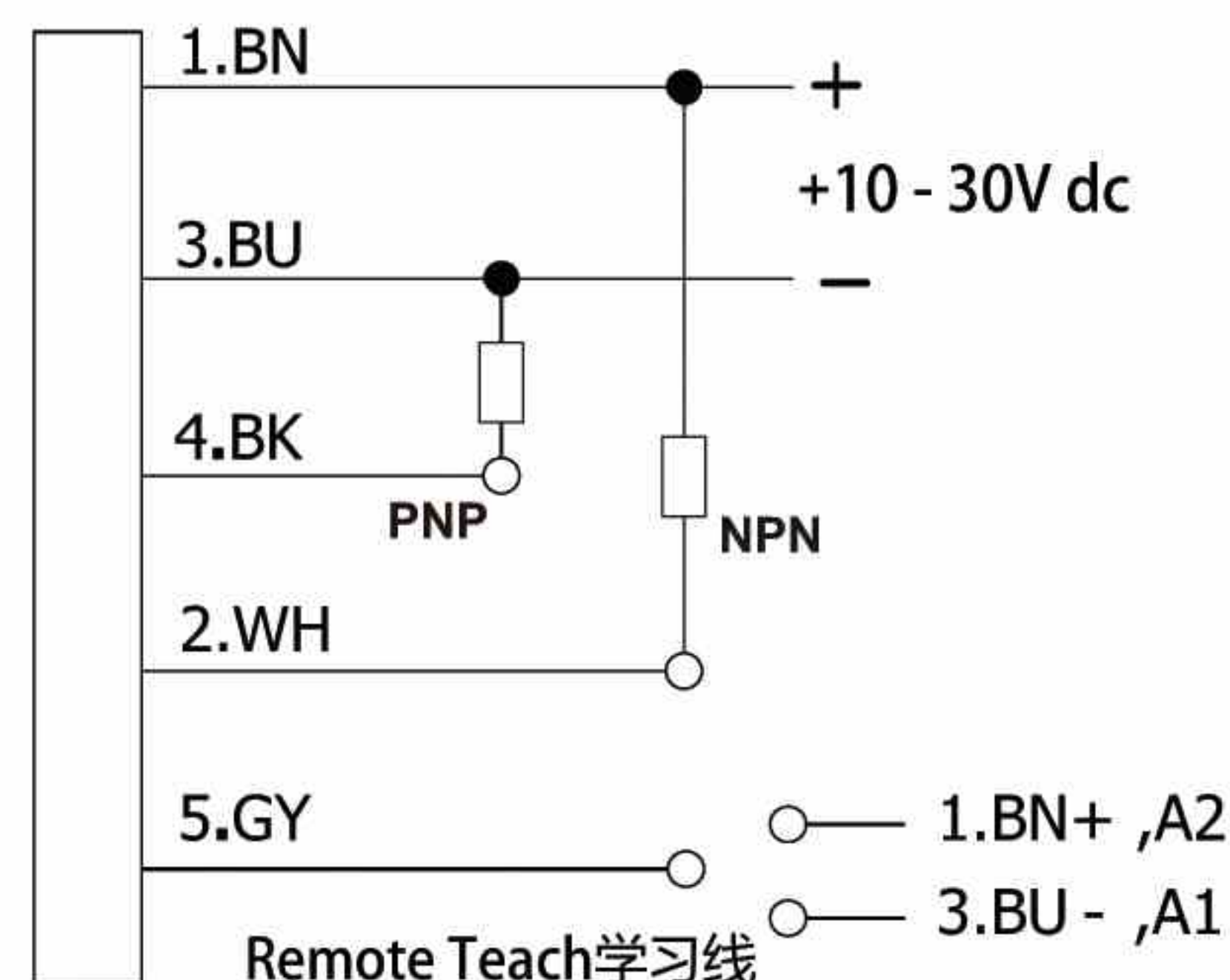


- 1 = Brown. 棕色
- 2 = White. 白色
- 3 = Blue. 蓝色
- 4 = Black. 黑色
- 5 = Gray. 灰色

Analogue · 模拟量输出连接



Switch · 开关量输出连接



样本内容更改时恕不通知